

“S” Series Cable Drum

“S” series cable drum is the ideal solution to protect and transport your sensitive cables.



Features

- ✓ Space-Efficient (stackable).
- ✓ Suitable for Ruggedize Environment.
- ✓ Weatherproof
- ✓ Customization and accessories available.
- ✓ Adjustable brake
- ✓ Foldable handle for easy storage and safety
- ✓ Adjustable cable rolling guide shaft
- ✓ 6 Series aluminium alloy for body frame

We reserve the right to amend all technical details without prior notification



Product design

Space constraint and tough environment is a challenge in every product design.

“S” Series cable drum is design with space constraint in mind, in order to fully utilize space, “S” series cable drum is design to be stackable. Different size of “S” series cable drum are able to stack together to save space.

“S” Series cable drum is construct with Aluminium Alloy, the strength of this material allow it to be suitable for any kind of environment be it be forested area or modern urban area.

Our “S” Series cable drum comes with adjustable brake and foldable handle for easy storage and safety. One of our key feature, adjustable cable rolling guide shaft enable user to effortlessly guide the cable in and out of the cable drum.

Our “S” Series cable drum is highly customizable, there are two option you can use to customize it. Option A (“S” series with sub reel) and option B (“S” series with connector plate).

Option A (“S” series with sub reel)

Suitable for dual connection, from equipment A to equipment B, sub reel connector (fixed length of usually 3m) is use on stationary equipment A and main reel will be connected to equipment B which is far away.

Option B (“S” series with connector plate)

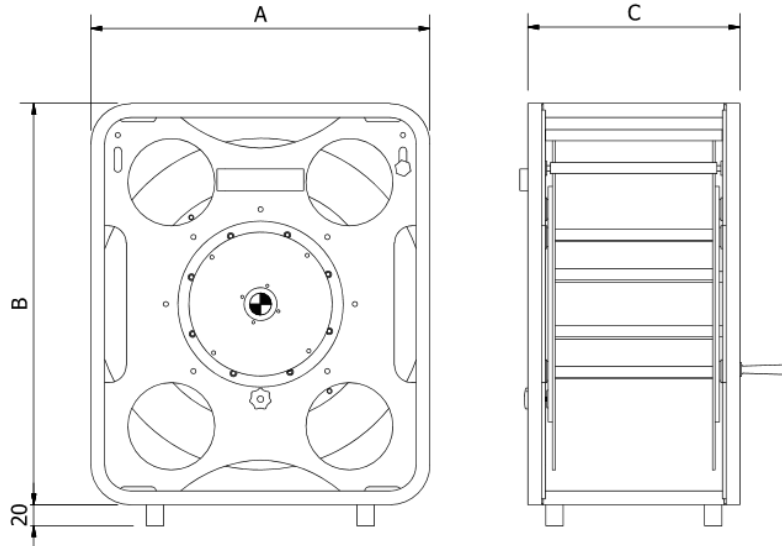
Suitable for indoor/outdoor extension, from equipment A to any location for extension of connection. Cable drum works as an extension connecting plate whereas cable from main reel will be connected to source.

We reserve the right to amend all technical details without prior notification



Sizes

- Customization size is available upon request.



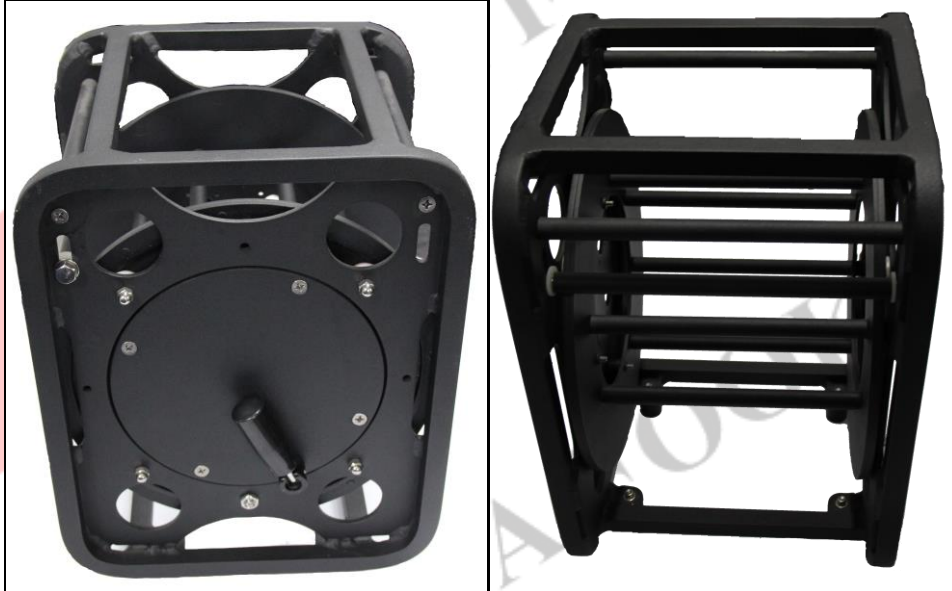
No.	Part No:	A (Length mm)	B (Height mm)	C (Width mm)	Cable Size (ø)	Maximum Length (m)	Approx. Weight (Kg)
1	CCD280350242-S	280	350	242	6	93	5
					8	41	
					10	33	
					12	18	
					14	16	
					16	6	
2	CCD330400242-S	330	400	242	6	178	8
					8	88	
					10	59	
					12	39	
					14	25	
					16	22	
3	CCD360430242-S	360	430	242	6	223	8
					8	122	
					10	87	
					12	50	
					14	44	
					16	31	
4	CCD450520242-S	450	520	242	6	429	10
					8	237	
					10	149	
					12	101	
					14	78	
					16	60	

We reserve the right to amend all technical details without prior notification

PROVIDING IDEAL SOLUTION



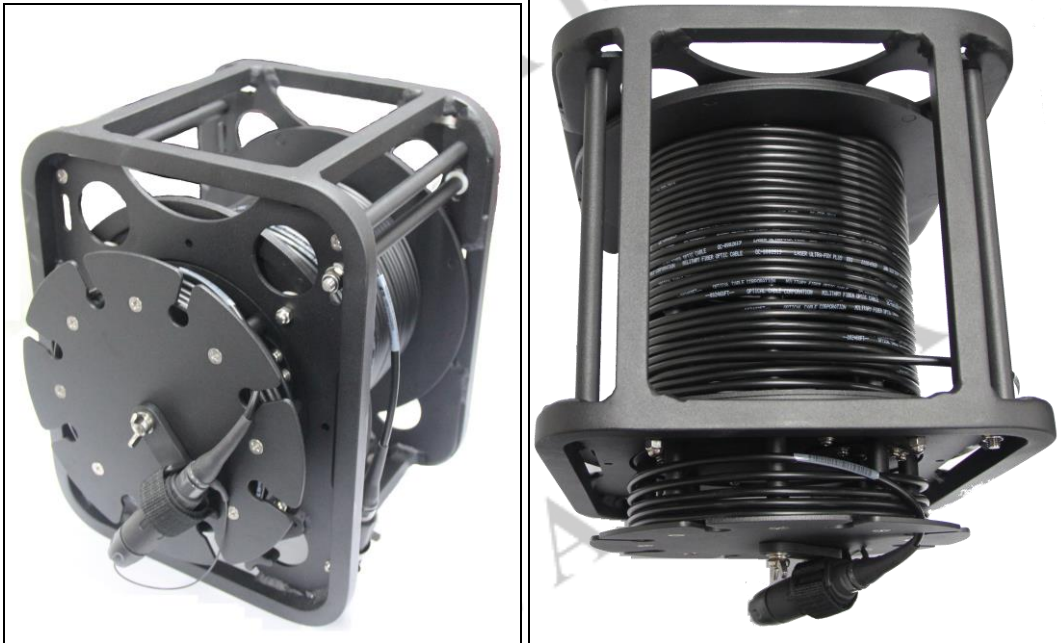
Gallery 1: Normal "S" series cable drum



We reserve the right to amend all technical details without prior notification



Gallery 2: Option A: "S" series with sub reel cable drum



We reserve the right to amend all technical details without prior notification

PROVIDING IDEAL SOLUTION



Gallery 3 : Option B: “S” series with connector plate cable drum



We reserve the right to amend all technical details without prior notification

PROVIDING IDEAL SOLUTION



Gallery 4 : Our Past Projects



We reserve the right to amend all technical details without prior notification

PROVIDING IDEAL SOLUTION



Gallery 4 : Our Past Projects



We reserve the right to amend all technical details without prior notification

PROVIDING IDEAL SOLUTION

