

**COMM™**

## Series Transit Case

**COMM series transit case is the ideal solution to protect and transport your sensitive electronics equipment.**



### Features

- ✓ Light weight.
- ✓ Space-Efficient (stackable).
- ✓ Maximum protection against Shock and vibration.
- ✓ Compliant with the US military standard MIL-STD-810F.
- ✓ Aluminium frame with international ISO 19"U rack spacing
- ✓ Two removable covers to allow electronic equipment to be accessed from front or back for ease of cabling and operation when covers are removed.
- ✓ Customization and accessories available.
- ✓ Extremely temperature resistant, exceeds range of -65°F to +185°F
- ✓ Airtight lid gasket and PRV (pressure relief valve)

## Universal Applications

- Military and highly sophistication commercial usage.
- Telecommunication equipment.
- Mobile & field equipment likely to expose to hostile environments.
- Shipboard equipment.
- Airborne equipment.

## Protection

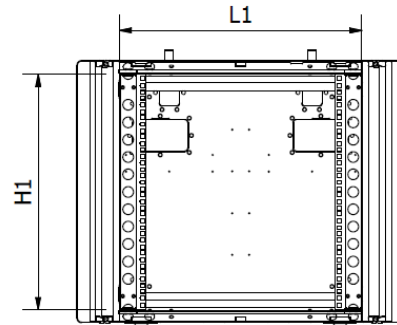
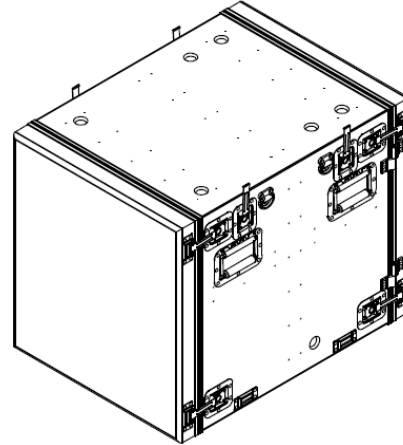
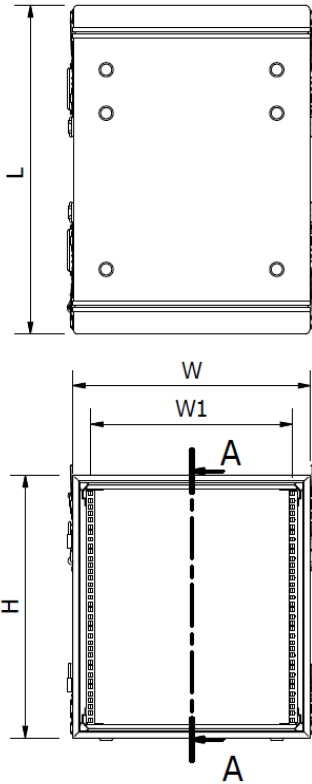
- Transportation stress, such as vibration and shock.
- Incident protection, such as drop shock.
- Environmental stress, such as rain, sand, dust, snow, salt fog and humidity according to MIL-STD-810F.
- Extremely temperature resistant, exceeds range of -65°F to +185°F
- Electronic magnetic interference (EMI) shielding effectiveness.
- Protection against Low Pressure (Altitude).

## Product design

- Exterior body: Aluminium alloy (saltwater resistant)
- Interior structure: Aluminium frame with international ISO 19"U rack spacing.
- Chassis equip with vibration shock mount.
- Two removable covers to allow electronic equipment to be accessed from front or back for ease of cabling and operation when covers are removed.
- EMI Gasket and Aluminium runner.
- Pressure and relief valve.
- Space-efficient (stackable)
- Compliant to MIL-STD-810F
- Customization of size and accessories.

## Sizes

- From 4RU to 19RU (1RU = 1.75 inches or 44.45mm).
- Customization size is available upon request.



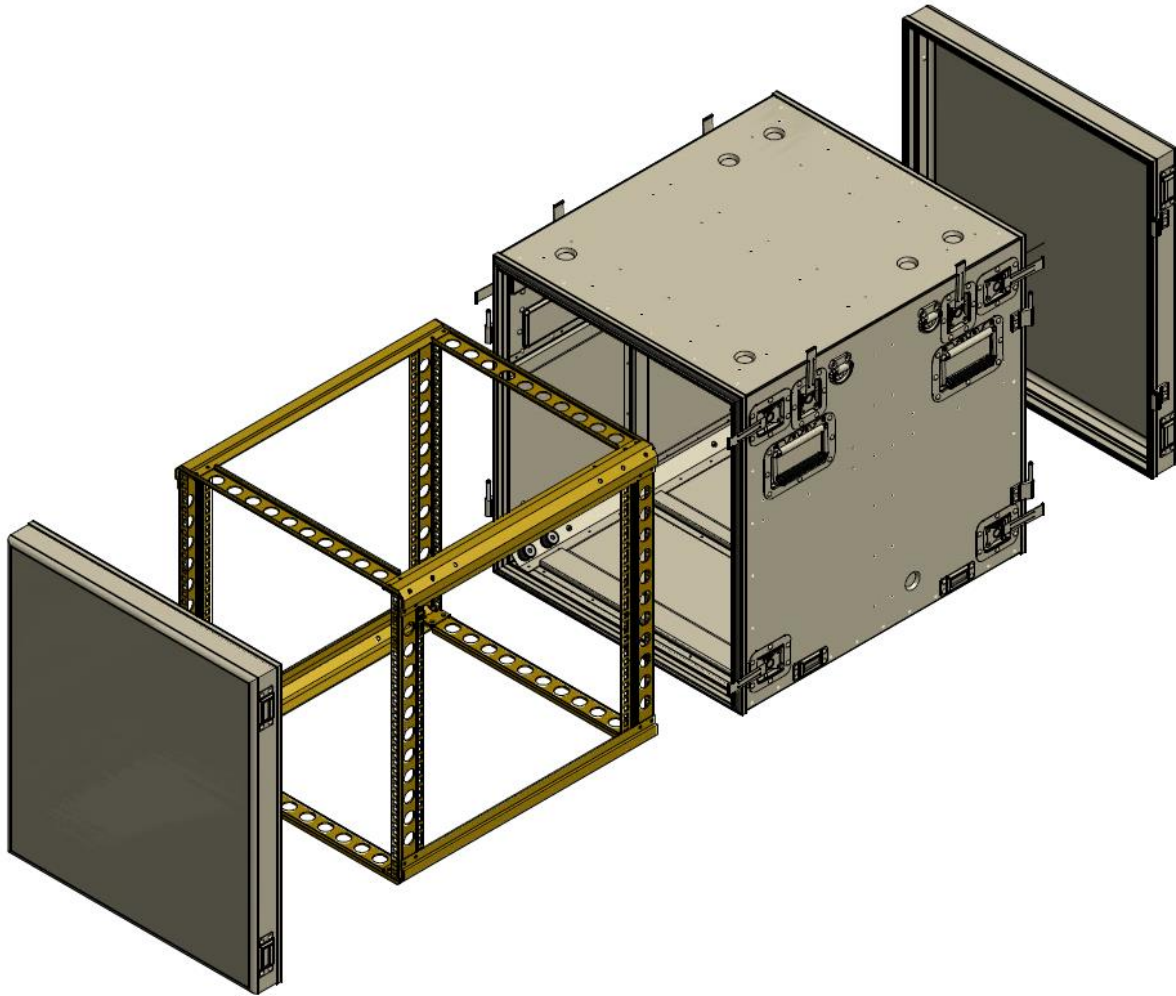
A-A (1 : 11)

Part No.	U	H	H1	W	L	L1	Approx. Weight (kg)
1004U0650	4	244.1	179.1	546	650	461	10.5
1004U0750					750	561	12.5
1004U0850					850	661	14.5
1004U0950					950	761	16.5
1004U1050					1050	861	18.5
1005U0650	5	288.55	223.55	546	650	461	11.5
1005U0750					750	561	13.5
1005U0850					850	661	15.5
1005U0950					950	761	17.5
1005U1050					1050	861	19.5
1006U0650	6	333	268	546	650	461	12.5
1006U0750					750	561	14.5
1006U0850					850	661	16.5
1006U0950					950	761	18.5
1006U1050					1050	861	20.5

Part No.	U	H	H1	W	L	L1	Approx. Weight (kg)
1007U0650	7	377.45	312.45	546	650	461	13.5
1007U0750					750	561	15.5
1007U0850					850	661	17.5
1007U0950					950	761	19.5
1007U1050					1050	861	21.5
1008U0650	8	421.9	356.9	546	650	461	14.5
1008U0750					750	561	16.5
1008U0850					850	661	18.5
1008U0950					950	761	20.5
1008U1050					1050	861	22.5
1009U0650	9	466.35	401.35	546	650	461	15.5
1009U0750					750	561	17.5
1009U0850					850	661	19.5
1009U0950					950	761	21.5
1009U1050					1050	861	23.5
1010U0650	10	510.8	445.8	546	650	461	16.5
1010U0750					750	561	18.5
1010U0850					850	661	20.5
1010U0950					950	761	22.5
1010U1050					1050	861	24.5
1011U0650	11	555.25	490.25	546	650	461	17.5
1011U0750					750	561	19.5
1011U0850					850	661	21.5
1011U0950					950	761	23.5
1011U1050					1050	861	25.5
1012U0650	12	599.7	534.7	546	650	461	18.5
1012U0750					750	561	20.5
1012U0850					850	661	22.5
1012U0950					950	761	24.5
1012U1050					1050	861	26.5
1013U0650	13	644.15	579.15	546	650	461	19.5
1013U0750					750	561	21.5
1013U0850					850	661	23.5
1013U0950					950	761	25.5
1013U1050					1050	861	27.5
1014U0650	14	688.6	623.6	546	650	461	20.5
1014U0750					750	561	22.5
1014U0850					850	661	24.5
1014U0950					950	761	26.5
1014U1050					1050	861	28.5

Part No.	U	H	H1	W	L	L1	Approx. Weight (kg)
1015U0650	15	733.05	668.05	546	650	461	21.5
1015U0750					750	561	23.5
1015U0850					850	661	25.5
1015U0950					950	761	27.5
1015U1050					1050	861	29.5
1016U0650	16	777.5	712.5	546	650	461	22.5
1016U0750					750	561	24.5
1016U0850					850	661	26.5
1016U0950					950	761	28.5
1016U1050					1050	861	30.5
1017U0650	17	821.95	756.95	546	650	461	23.5
1017U0750					750	561	25.5
1017U0850					850	661	27.5
1017U0950					950	761	29.5
1017U1050					1050	861	31.5
1018U0650	18	866.4	801.4	546	650	461	24.5
1018U0750					750	561	26.5
1018U0850					850	661	28.5
1018U0950					950	761	30.5
1018U1050					1050	861	32.5
1019U0650	19	910.85	845.85	546	650	461	25.5
1019U0750					750	561	27.5
1019U0850					850	661	29.5
1019U0950					950	761	31.5
1019U1050					1050	861	33.5

Assembly Drawing of CoMM series Transit Case



## Accessories

### 1. Trolley

- Load capacity: Approx. 480Kg
- Overall height: 180mm
- Suitable for all size of transit case
- Weight: Approx. 8.75Kg



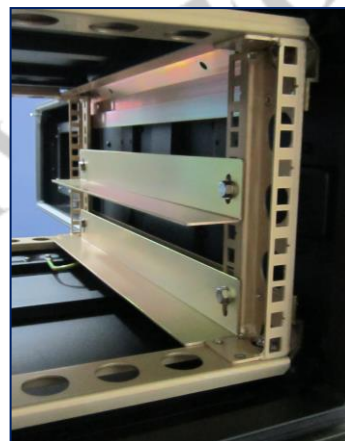
### 2. Signal Entrance Panel (SEP)

- 3 x high AC fan for ventilation
- Cut-out hole for connector for easy access
- Suitable for outdoor/indoor use



### 3. Transit case runner

- Mounting brackets for equipment
- Come with different sizes



#### 4. Rack mount power socket (4 gang to 6 gang)

- Come with 3 mounting design:
  - i. Flash mount
  - ii. Recess mount
  - iii. Deep recess mount
- Overall height: 2RU = 89mm
- Suitable for all size of transit case



#### 5. Cable management

- Overall height: 1RU = 44.45mm
- Suitable for all size of transit case



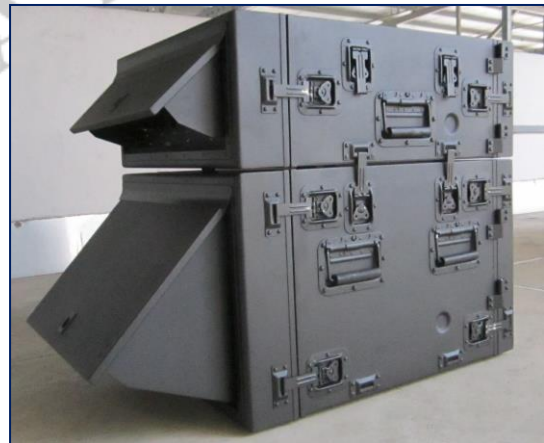
#### 6. Fan Panel

- 3 x high AC fan for ventilation
- Overall height: 4RU = 177.8mm
- Suitable for all size of transit case





Gallery 1



Gallery 2

